

Mini Uniset

Plastic 6/3 litre Dual Flush Cistern, Seat and Connection Plate

A new concept in plastic cistern design featuring compact size, modern styling. The **Mini Uniset Smartflush** is a dual flush, integrated plastic system comprising of cistern, seat and flush fitting connection plate which conceals the flush pipe and water connection. The matched suites are suitable for multi purpose applications and can be used where authorised for septic installations.

Cistern: A one piece injection moulded tank with a well fitting removable lid housing and centrally positioned push buttons

Cistern Mechanism: The cistern incorporates a quiet inlet valve to reduce noise during the filling cycle.

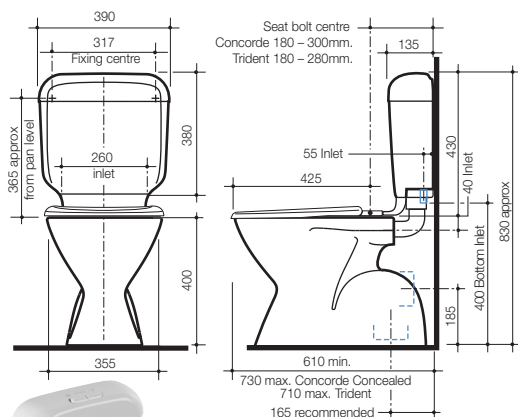
Inlet and Overflow Connections: Inlet connection is located on the underside of the cistern and is interchangeable. Available with internal overflow. The cistern must be used with an authorised matched 4.5 litre pan. The cistern design allows 100mm of adjustment when coupled to a pan having the seat holes located between 180mm and 280mm from the wall. Recommended setout for an S-trap pan is 165mm from the centre of the S-trap to the finished wall.

Seat: The **Uniset** is designed to complement the Mini Uniset Cistern.

Matched Suites: The following Caroma matched 4.5/3 litre dual flush suites are recommended – **Concorde Concealed Mini Uniset Smartflush** (as illustrated) S or P-trap pan unvented. **Trident Mini Uniset Smartflush** S or P-trap pan unvented.

Installation: Refer to *Important Information for Plumbers* section.

Colours: White and Ivory.



*Setout Adjustment for S-trap Pans

Concorde Concealed Mini Uniset Suite	120 – 240mm
Trident Mini Uniset Suite	120 – 220mm

