

caroma®

GEO®

**Vitreous China
Semi Recessed Vanity Basin**

Nominal Size 400mm x 475mm

(Tapware is unavailable)

CI/SfB	(74.2)	g3
Date	March 2008	

Supersedes all previous issues

2.40.1

NEW ZEALAND





A minimalist geometric designed semi recessed vanity basin. The **Geo** semi recessed vanity basin has been designed to co-ordinate with other products in the Geo range. For optimum appearance, a specially designed overflow chrome covered waste is supplied as standard. The basin is suitable for general purpose domestic and commercial applications. The basin is sealed to the counter top with an acetic cured silicone sealant.

Tap Holes: The basin is available in no tap hole Code No.851505, one taphole Code No.851515 and three taphole Code No.851535.

Waste Outlet: The basin has been designed for the Caroma Uni-waste outlet suitable for a 40mm trap connection. Chrome covered Uni plug and waste supplied. For applications where a chrome plated brass waste is required there are three suitable Uni-wastes available in the following options. Flush fitting plug and waste Code No.687140, Vandal Resistant Flush Fitting Plug and waste Code No. 687141 and Vandal Resistant Chrome Covered Plug and Waste Code No.687143.

Bowl Capacity: 2.5 Litres to overflow.

Overflow: Standard with overflow. Designed for maximum tap flow rate of 15 litres/minute.

Fixing: **D.250 Bracket with Tie Hooks** – Supplied. Recommended for domestic and general commercial use. Two D.250 brackets are fixed to the underside of the counter top to secure the tie hooks which anchor the back of the basin to the counter.

The basin must be sealed to the top and front surface of the counter with an acetic cured silicone sealant.

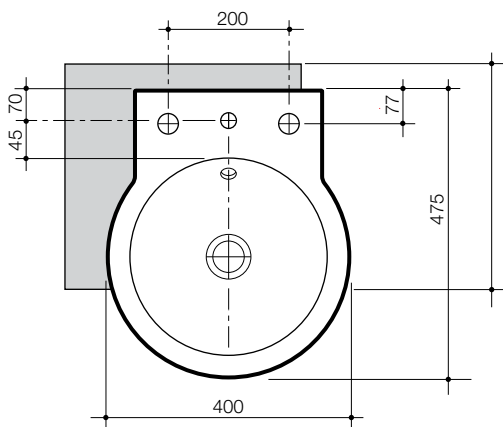
Epoxy type glues must not be used.

The basin is supplied with a template which must be used for the counter top cut-out.

Important: For granite or marble tops, fix two 20mm thick wooden blocks in the bracket position on the underside of the granite/marble with fast setting two part epoxy. When fully set screw the brackets into position on the wooden blocks. Other suitable fastening systems maybe used.

Colours: White only.

Dimension: All dimensions are in millimetres and are subject to normal manufacturing variations. Caroma pursues a policy of continuing improvement in design and performance of its products. The right is therefore reserved to vary specifications without notice.



Note: Local authorities have requirements for minimum basin to wall dimensions.

