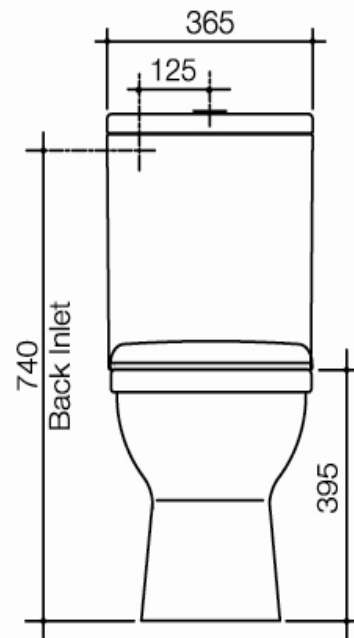
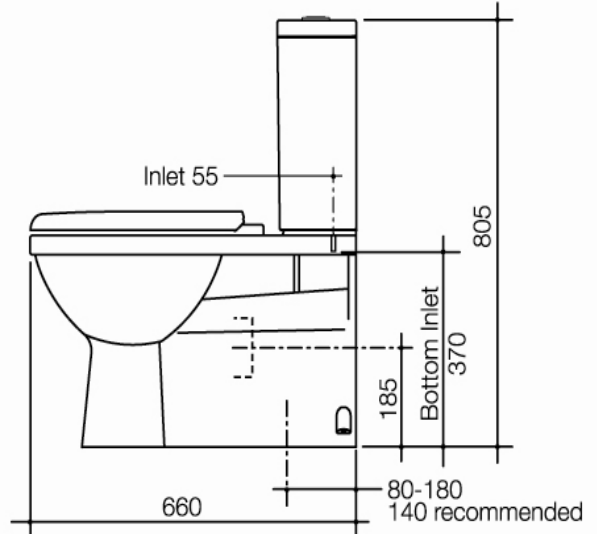


# Newport Cube Wall Faced Smartflush Suite



## Features:

- WELS 4 star rating
- 4.5/3 litre dual flush
- Universal trap
- Back inlet (left-hand only) or bottom inlet (right-hand, convertible to left)
- Fitted with quiet, fast-filling inlet valve
- Fitted with Fowler VC dual-flush outlet valve
- Supplied with Newport seat
- Available in white only



• FOWLER •  
SINCE 1837