

# Invisi

## 6/3 litre Dual Flush Inwall/Induct/Inceiling Installations. 4.5/3 litre Dual Flush Inwall/Induct/Inceiling Installation. 1.8 Single Flush Inwall/Induct/Inceiling Installations.

A dual flush plastic cistern suitable for inwall, induct and in ceiling applications. Available as a 6/3 litre dual flush or the 4.5/3 litre dual flush with Caroma Smartflush technology to deliver the latest water-saving technology. The cistern features a 72mm reduced thickness cistern and fits normal studwork using two quick clip mounting brackets. For greater design flexibility pneumatically activated buttons allow the cistern to be installed up to 4 metres from the buttons, ideal for Care applications. Custom mount and Care button options available to order. Standard pneumatic pipe length is 500mm for inwall access panels and 4 metres for in ceiling installations.

**Invisi Inwall Cistern:** The cistern can be fitted within a minimum cavity of 75mm with large panel access or 90mm with Compact panel access. A range of access panel kits are available to suit dual flush, single flush and remote push button positions which allows for simple servicing of all internals by removing the panel. Available as 4.5/3 and 6/3 litre dual flush options or 1.8 litre single flush option.

**Invisi Induct/Inceiling Cistern:** The cistern is suitable for behind the wall installations in a single service duct and is activated with the remote push buttons. The cistern is also suitable for mounting in the ceiling duct where access is provided for adjustment and servicing. A special flush pipe fabricated from DWV must be used as illustrated. Due to the high head height only nominated Caroma boxed rim pans should be used with this installation. Flush pipe restrictors are used to control flow rate in high level installations. Available as 4.5/3 and 6/3 litre dual flush options or 1.8 litre single flush option.

**Invisi Cistern:** The Invisi 1.8 litre single flush cistern is supplied with instructions for conversion to 4 litre, and 6 litre.

**Maximum working pressure is 1000 kPa. Low pressure option available.**

**Flush Pipe:** Standard flush pipe included.

**Fixing:** The cistern is simply mounted into position by clipping it onto the two quick clip mounting brackets which are secured with screws to the studwork or the D.715 Sanifix bracket. For inwall, in ceiling

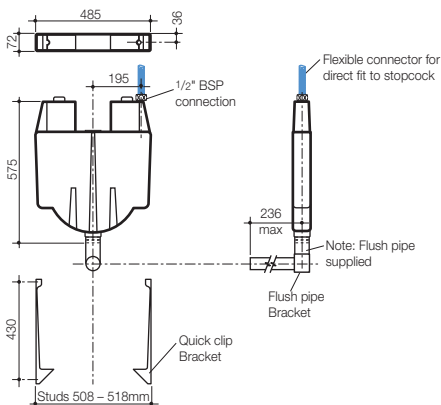
applications with S-trap pans, access must be provided to locate the flush pipe into the pan inlet during installation. A large access panel is available for this application.

**Installation:** Refer to *Important Information for Plumbers* section.

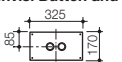
**Colours:** Satin buttons with stainless steel panel or plate standard — see other options next page.



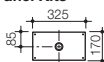
# Invisi (continued)



## Invisi Button and Panel Kits



**Invisi Compact access panel and buttons for inwall applications**  
Satin/Stainless Steel.



**Invisi Compact access panel and button for inwall applications**  
Satin/Stainless Steel.

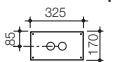


**Invisi Remote buttons and plate for induct/ceiling applications**  
Satin/Stainless Steel.

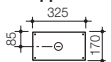


**Invisi Remote button and plate for induct/ceiling applications**  
Satin/Stainless Steel.

## Access Panel Options for Inwall Applications



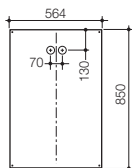
**Dual flush Compact Access Panel<sup>3</sup>**  
Stainless Steel, White.



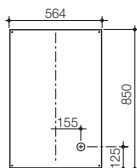
**Single flush Compact Access Panel<sup>3</sup>**  
Stainless Steel.



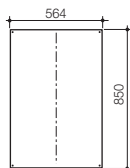
**Blank Compact Access Panel<sup>3</sup>**  
Stainless Steel.



**Large Access Panel dual flush<sup>3</sup>**  
Stainless Steel, White.



**Large Access Panel single flush bottom<sup>3</sup>**  
Stainless Steel, White.



**Large Blank Access Panel<sup>3</sup>**  
Stainless Steel.

## Button Options

– Size: 55mm dia.



**Dual flush Invisi Custom/Care button pack<sup>1</sup>**  
Satin Chrome, White, Chrome.

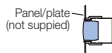


**Dual flush Invisi button pack.**  
Satin Chrome, White, Chrome.

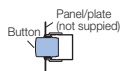


**Single flush Invisi Custom/Care button pack<sup>1</sup>**  
Satin Chrome.

**Custom Installation<sup>2</sup>**  
16-18mm counter top/panel



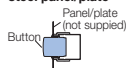
**Care Installation<sup>2</sup>**  
3mm stainless steel panel/plate



**Custom Installation<sup>2</sup>**  
16-18mm counter top/panel



**Care Installation<sup>2</sup>**  
3mm stainless steel panel/plate



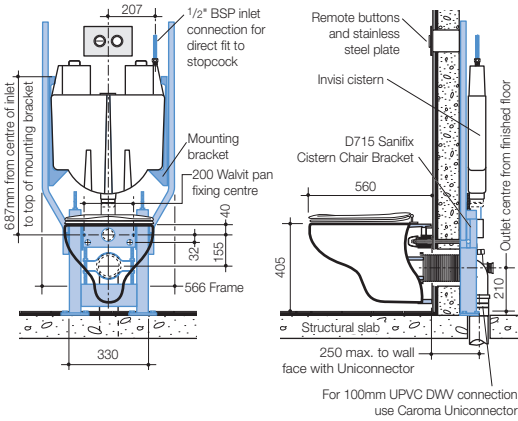
<sup>1</sup> Button/s only. <sup>2</sup> Suitable for Custom installation and Care installation. <sup>3</sup> Panel only.

### Note:

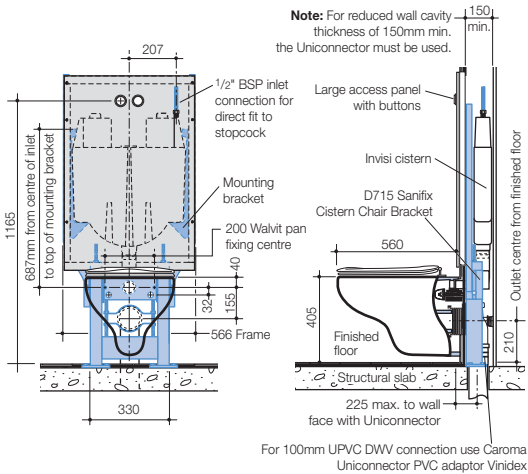
- Multiple options available where panels and buttons are supplied separately.
- Fixing brackets supplied with cistern.
- Large access panels are recommended for double brick wall installations.

# Invisi (continued)

## Walvit Invisi Induct Installation with Remote Buttons

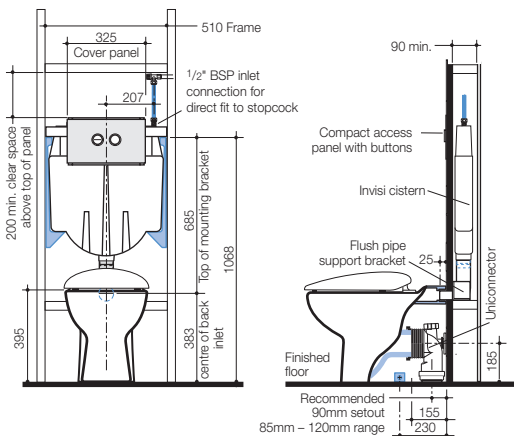


## Walvit Invisi Inwall Installation with Large Access Panel and Buttons

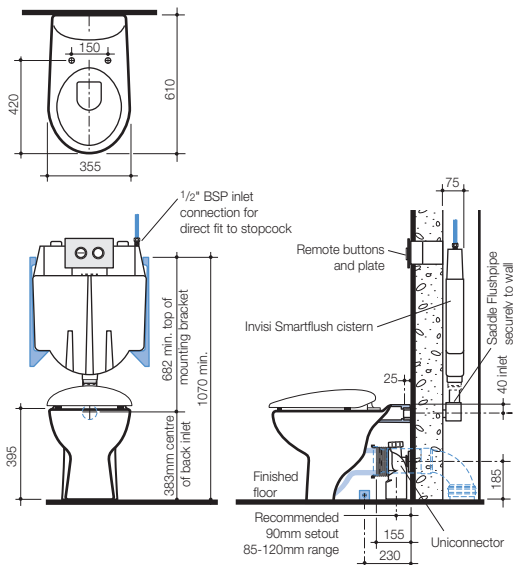


# Invisi (continued)

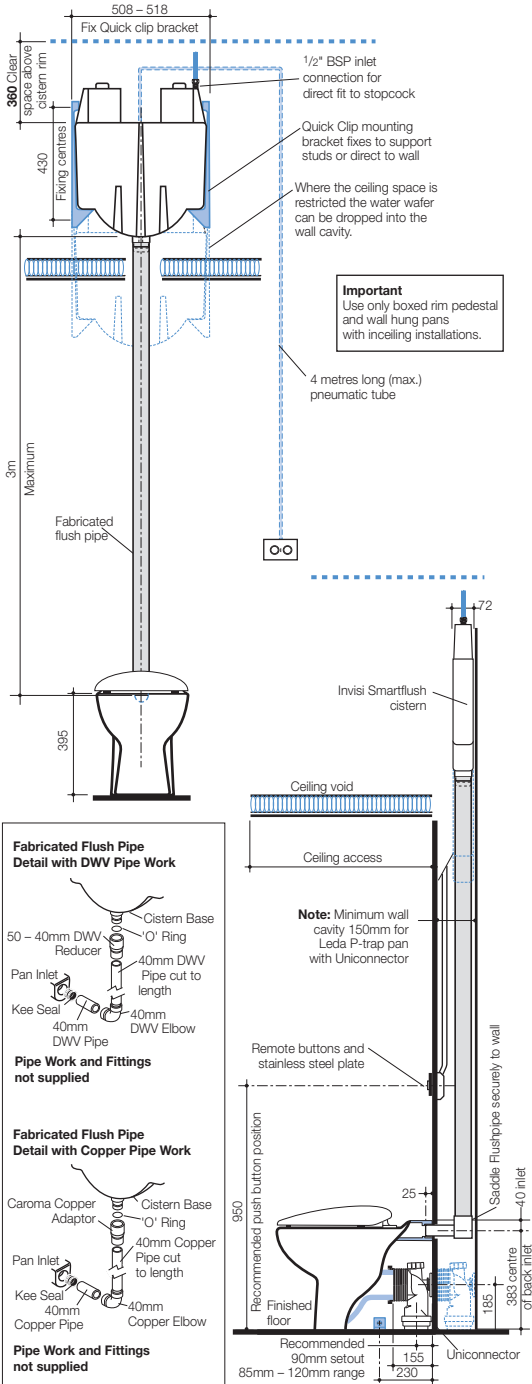
## Leda Invisi Smartflush Inwall Installation with Compact Access Plate and Buttons



## Leda Invisi Smartflush Induct Installation with Remote Buttons

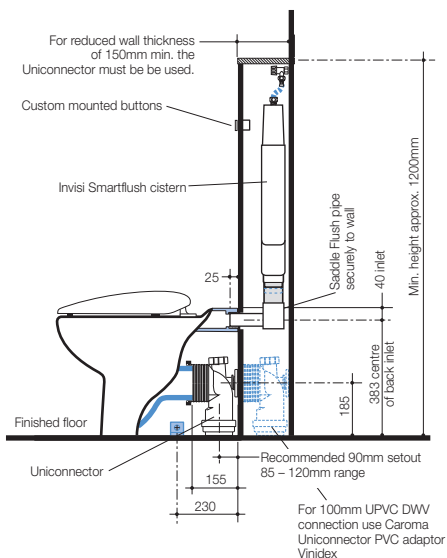


## Leda Invisi Smartflush Inceiling Installation with Remote Button and Plate

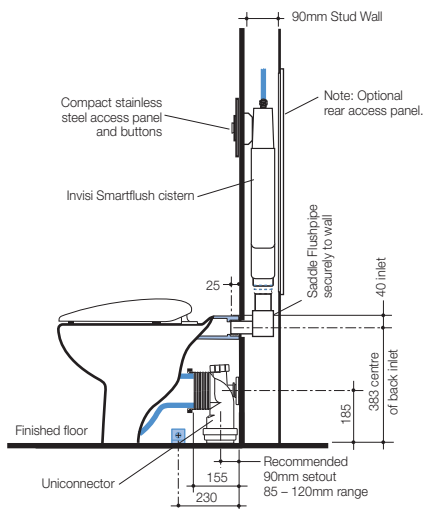


# Invisi (continued)

## Leda Invisi Smartflush False Wall Installation with Custom Mounted Buttons



## Leda Invisi Smartflush Stud Wall Installation with Compact Access Panel and Buttons with optional Rear Access Panel

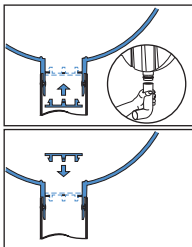


# Invisi (continued)

## Invisi Smartflush Inceiling Installation

**Flush Restrictors:** are supplied with this cistern for use when the flush rate is too fast for some pan types in high level installations. The restrictors clip into the cistern tail as illustrated. Select the appropriate restrictor using the table below.

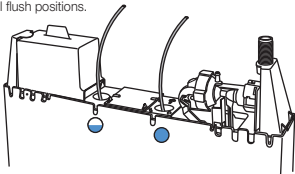
Always check the flush and increase or decrease restrictor size as required.



Flush pipe height	Restrictor Required	
Millimetres	40mm flush pipe	50mm flush pipe
Up to 500	None	None
500 to 1000	34	34
1000 to 1500	31	31
1500 to 1800	31	Not recommended
1800 to 3000	27	Not recommended

### 4.5/3 and 6/3 LITRE DUAL FLUSH — Toilet Suites

- For 4.5/3 and 6/3 litre flush, connect the pneumatic hoses to both the half flush and full flush positions.

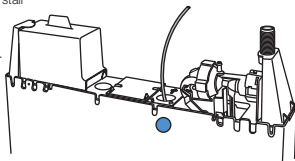


### 1.8 LITRE SINGLE FLUSH — Single Stall Urinal

The cistern is configured for single stall installations out of the factory.

The pneumatic hose must be connected to the full flush position.

Adjust the water level in the cistern down by 40 mm using the float adjustment screw located on the side of the inlet valve.

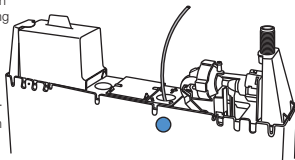


### 4 LITRE SINGLE FLUSH — 2 Stall Urinal Only

For two stall installations the cistern must first be configured by following the outlet valve conversion instructions which are supplied with the cistern.

The pneumatic hose must be connected to the full flush position.

Adjust the water level in the cistern down by 40mm using the float adjustment screw located on the side of the inlet valve.

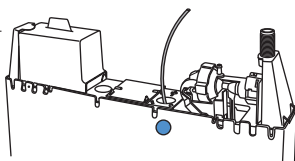


### 3 LITRE SINGLE FLUSH — 3 Stall Urinal Conversion

For three stall installations the cistern must first be configured by following the outlet valve conversion instructions which are supplied with the cistern.

The pneumatic hose must be connected to the full flush position.

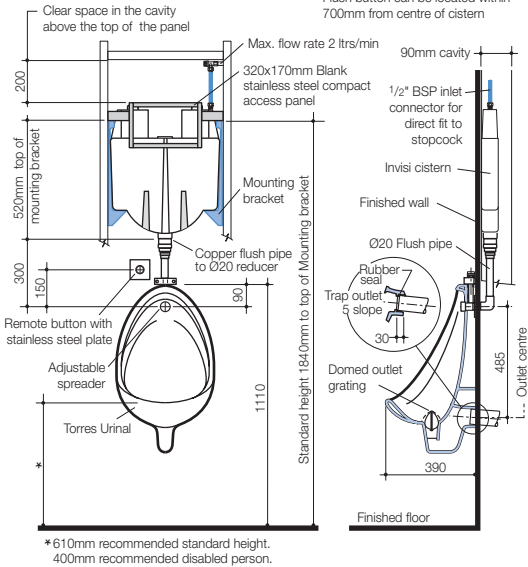
Adjust the water level in the cistern to the WL mark inside the tank using the float adjustment screw located on the side of the inlet valve.



# Invisi (continued)

## Torres Urinal Invisi Installation

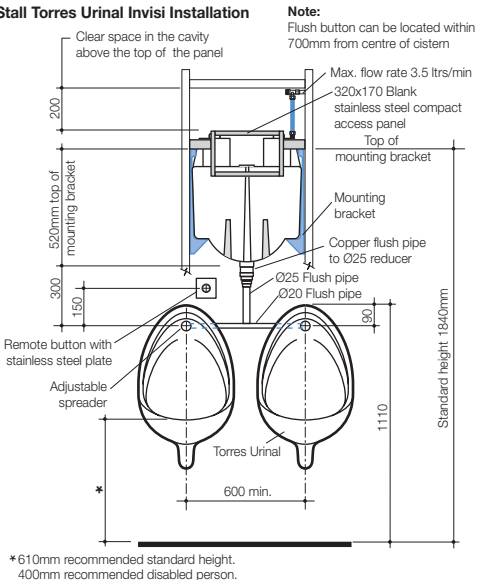
### 1 Stall Torres Urinal Invisi Installation



**Important: Water Connection to Cistern** — To prevent continual running of water through the urinal due to high flow rate conditions to the cistern, a constant flow valve rate of not greater than 3.5 ltrs/min is used for multiple stall installations.

Achieves a 1 Star WELS rate water efficiency rating when flushing no more than 4 litres on a two stall installation.

### 2 Stall Torres Urinal Invisi Installation

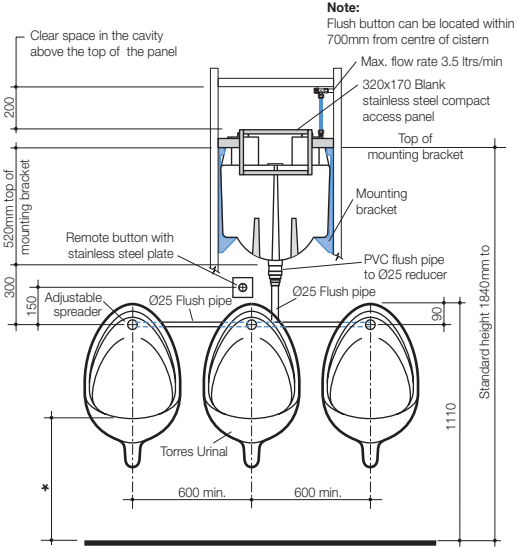


**Important: Water Connection to Cistern** — To prevent continual running of water through the urinal due to high flow rate conditions to the cistern, a constant flow valve rate of not greater than 3.5 ltrs/min is used for multiple stall installations.

This installation is zero star WELS rated and does not comply with AS/NZ 6400.

## Torres Urinal Invisi Installation

### 3 Stall Torres Urinal Invisi Installation



**Important: Water Connection to Cistern** – To prevent continual running of water through the urinal due to high flow rate conditions to the cistern, a constant flow valve rate of not greater than 3.5 ltrs/min is used for multiple stall installations. This installation is zero star WELS rated and does not comply with AS/NZ 6400.